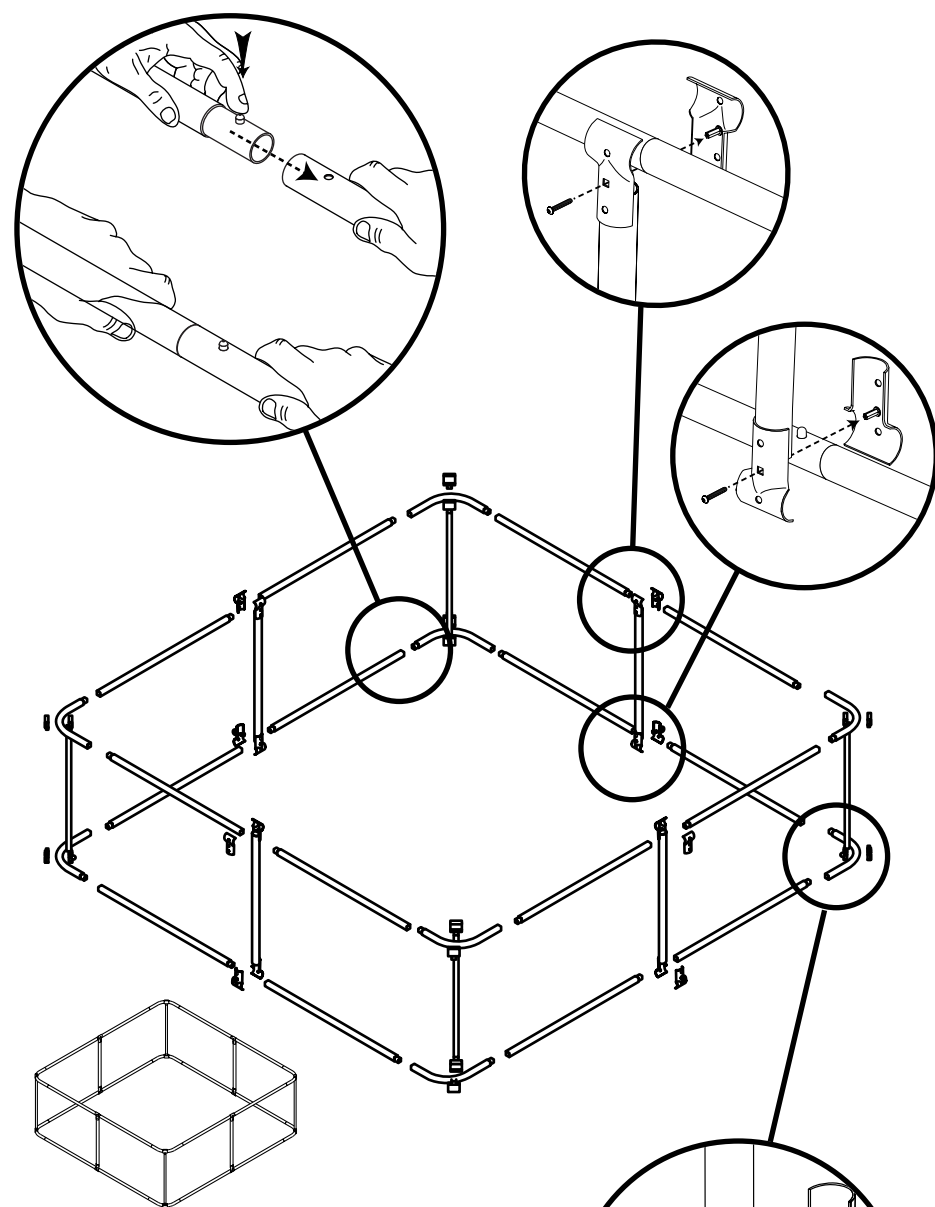
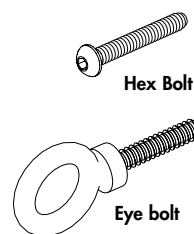
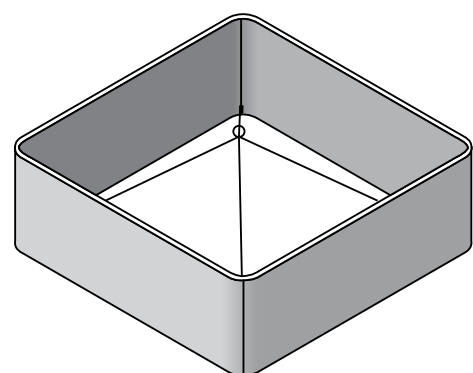


Skyline 10' Square Banner

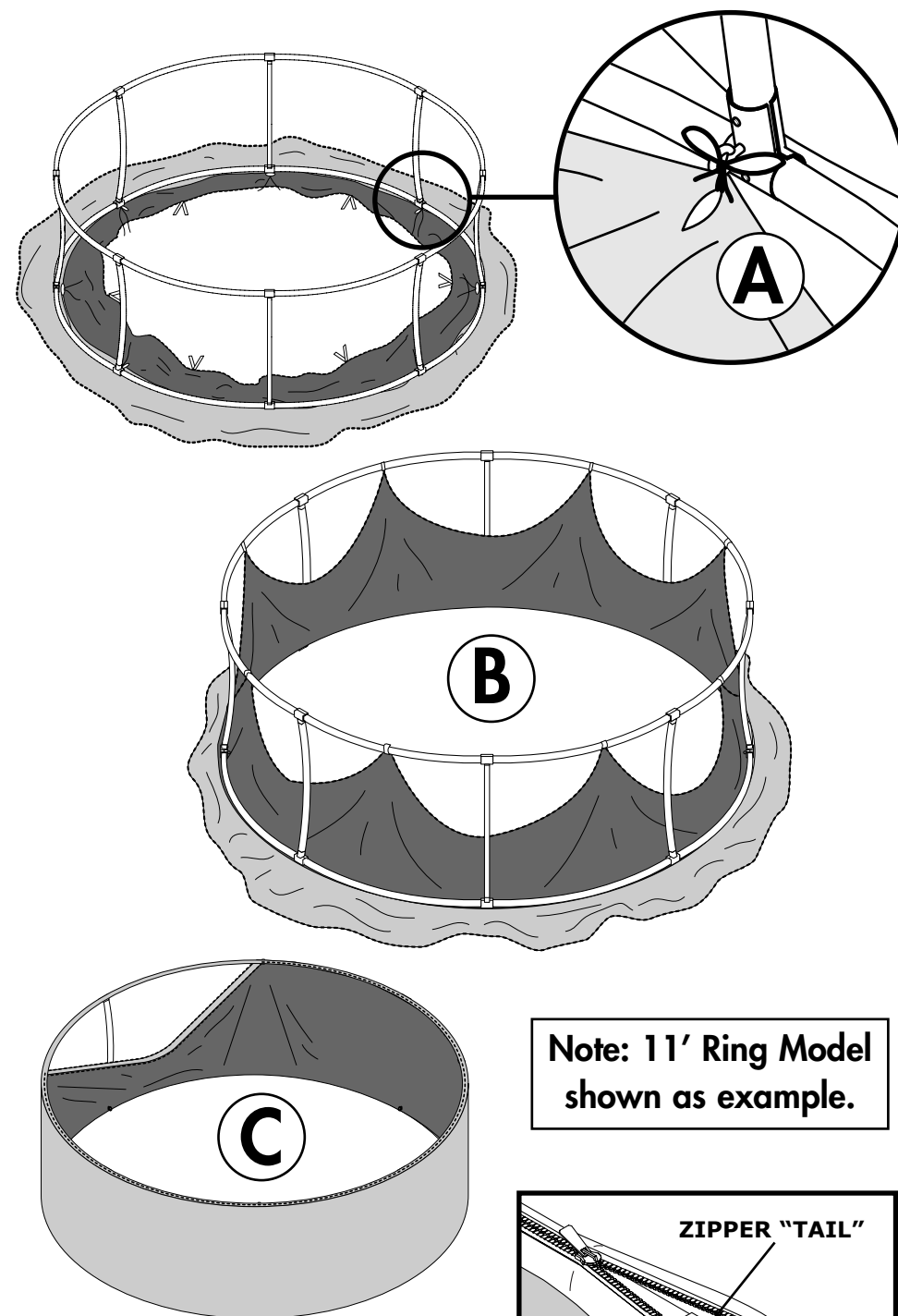


Finished Banner

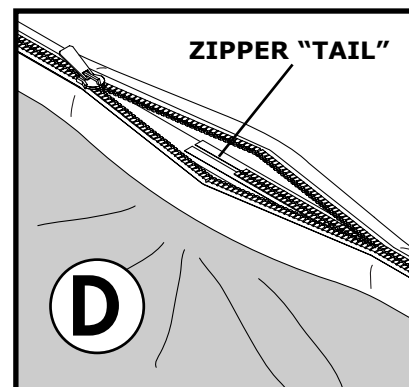


Part List:

- 16 Straight horizontal tubes
- 8 Straight vertical tubes
- 8 Corner tubes
- 1 Cable assembly
- 1 Fabric banner
- 1 Hex key tool



Note: 11' Ring Model shown as example.



Assembly Instructions

1. Connect eight straight horizontal tubes and four corner tubes together to create the top shape (connecting pins should be down).

2. Connect eight straight horizontal tubes and four corner tubes together to create the bottom shape (connecting pins should be up).

3. Starting with the bottom assembly, attach vertical tubes to the middle of the corner tubes using the eye bolt and where the horizontal straight tubes join using the supplied hex tool to secure the hex bolt of the clamp.

Note: Eye bolts must face the inside of the structure for proper hanging.

4. Connect the top assembly to the vertical tubes (already in place) using the hex bolt to attach the clamp.

5. Remove banner from storage bag. Spread the banner out on a clean area on the floor. Separate the inside and outside sections of the banner to expose the bottom seam. Lift the finished frame and place it on the banner aligning the bottom circle and the seam. Match the holes with the ties in the inside section of the banner with the eye bolts of the vertical connectors. Fit the eye bolt through the hole and loosely tie the strings to the eye bolt (**ILLUSTRATION A**). Pull the inside section up and attach the hook and loop tabs to the upper tubes to hold it in place while zipping (**ILLUSTRATION B**). Start the zipper at the "tail" and pull the outer section up while working the zipper around the frame. Unfasten the hook and loop tabs before zipping over them. Work to keep the zipper evenly aligned along the top of the tube (**ILLUSTRATION C**). To finish the zipper, tuck the "tail" of the zipper inside the banner before closing (**ILLUSTRATION D**).

Note: Banner is under tension – work carefully.

6. Attach the ends of the cable harness to the eye bolts in preparation for hanging.